

**FYH 300-350 8X4**  
**FYJ 300-350 8X4**



FYJ MODEL PICTURED

**WEIGHT RATINGS\***

**GVM** 30,000 kg  
**GCM** 45,000 kg

**ENGINE**

**POWER** 257 kW @ 2,000 rpm  
**TORQUE** 1,422 Nm @ 1,400 rpm

**TRANSMISSION**

9 speed manual transmission (MT)  
6 speed automatic transmission (AT)

\* Refer to back page for detailed weight rating information

| ISUZU CARE  |                                   |
|---|-----------------------------------|
| <b>WARRANTY</b>   | 6 Year Standard Warranty          |
|   | 600,000 km / 10,000 Engine Hours  |
| <b>ROADSIDE ASSIST</b>  | 6 Year Roadside Support           |
|   | 24/7 Unlimited km                 |
| <b>HARSH APPLICATION WARRANTY (CONCRETE AGITATOR / GARBAGE COMPACTOR)</b> | 3 Year Standard Warranty          |
|   | 300,000 km / no hours stipulation |
|   | 3 Year Roadside Support           |
|   | 24/7 Unlimited km                 |

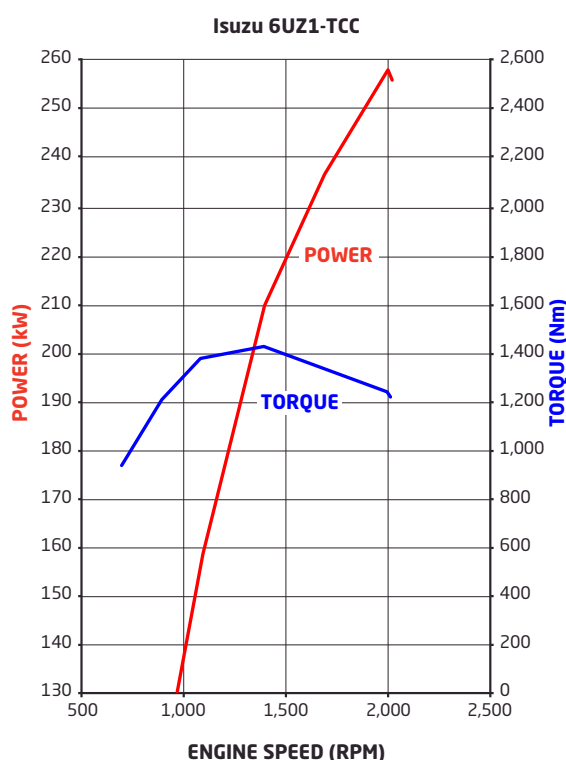
| INTELLIGENT SAFETY       |                                    |
|--------------------------|------------------------------------|
| <b>STANDARD FEATURES</b> | Anti-Lock Braking System (ABS)     |
|                          | Driver airbag                      |
|                          | Driver seatbelt pretensioner       |
|                          | Low light capable reversing camera |

| SERVICE AGREEMENTS                          |   |                 |       |
|---|---|-----------------|-------|
| Optional Service Packages                   | ESSENTIALS  | ESSENTIALS PLUS | TOTAL |
| <b>SCHEDULED SERVICINGS</b>                 | ●   | ●               | ●     |
| <b>CONSUMABLES</b>                          |   | ●               | ●     |
| <b>ENGINE, TRANSMISSION &amp; DRIVELINE</b> |   |                 | ●     |
| <b>EXTRAS</b>                               | After-hours Servicing, Glass, Fuel Card, Pickup - Dropoff |                 |       |



Subject to the conditions outlined in the IAL New Vehicle Warranty. For further information please visit [isuzu.com.au](http://isuzu.com.au) or contact your local dealer.

| ENGINE                   |  |
|--------------------------|--|
| <b>DESCRIPTION</b>       | Isuzu 6UZ1-TCC   |
| <b>TYPE</b>              | 6 cylinder 24 valve SOHC   |
| <b>DISPLACEMENT</b>      | 9,839 cc   |
| <b>COMPRESSION RATIO</b> | 17.5 : 1   |
| <b>BORE X STROKE</b>     | 120 mm x 145 mm  |
| <b>POWER</b>             | 257 kW (350 PS) @ 2,000 rpm (DIN NET)  |
| <b>TORQUE</b>            | 1,422 Nm @ 1,400 rpm (DIN NET)   |
| <b>INDUCTION</b>         | Electronically controlled variable nozzle turbocharger with air-to-air intercooler     |
| <b>FUEL INJECTION</b>    | Direct injection high pressure common rail   |
| <b>EMISSION CONTROL</b>  | Cooled EGR with exhaust Diesel Oxidation Catalyst (DOC). ADR 80/03 (Euro V) compliant. |



| TRANSMISSION                   |   |   |         |      |      |      |      |      |      |      |      |      |      |      |      |      |      |      |      |      |      |      |
|--------------------------------|---|---|---------|------|------|------|------|------|------|------|------|------|------|------|------|------|------|------|------|------|------|------|
| <b>MT</b>                      | <b>CLUTCH</b>   | <p><b>Type:</b> Single plate with air assisted hydraulic control</p> <p><b>Clutch plate diameter:</b> 432 mm</p> <p><b>Clutch lining area:</b> 1,923 cm<sup>2</sup></p>   |         |      |      |      |      |      |      |      |      |      |      |      |      |      |      |      |      |      |      |      |
|                                | <b>GEARBOX</b>  | <p><b>Description:</b> ZF 9S 1310 TO</p> <p><b>Type:</b> 9 speed with synchromesh on gears 1-8</p> <p><b>Ratios:</b></p> <table border="1"> <tr> <th>Crawler</th> <th>1st</th> <th>2nd</th> <th>3rd</th> <th>4th</th> <th>5th</th> <th>6th</th> <th>7th</th> <th>8th</th> <th>Rev</th> </tr> <tr> <td>9.48</td> <td>6.58</td> <td>4.68</td> <td>3.48</td> <td>2.62</td> <td>1.89</td> <td>1.35</td> <td>1.00</td> <td>0.75</td> <td>8.97</td> </tr> </table> <p><b>Power Take Off facility:</b> Provision at rear of transmission case</p> <p><b>Other features:</b> Repeat 'H' shift pattern</p> | Crawler | 1st  | 2nd  | 3rd  | 4th  | 5th  | 6th  | 7th  | 8th  | Rev  | 9.48 | 6.58 | 4.68 | 3.48 | 2.62 | 1.89 | 1.35 | 1.00 | 0.75 | 8.97 |
|                                |   | Crawler   | 1st     | 2nd  | 3rd  | 4th  | 5th  | 6th  | 7th  | 8th  | Rev  |      |      |      |      |      |      |      |      |      |      |      |
|                                |   | 9.48  | 6.58    | 4.68 | 3.48 | 2.62 | 1.89 | 1.35 | 1.00 | 0.75 | 8.97 |      |      |      |      |      |      |      |      |      |      |      |
|                                |   | <b>Description:</b> Allison 4430  |         |      |      |      |      |      |      |      |      |      |      |      |      |      |      |      |      |      |      |      |
| <b>Type:</b> 6 speed automatic |   |   |         |      |      |      |      |      |      |      |      |      |      |      |      |      |      |      |      |      |      |      |
| <b>Ratios:</b>                 |   |   |         |      |      |      |      |      |      |      |      |      |      |      |      |      |      |      |      |      |      |      |
| <b>AT</b>                      | <table border="1"> <tr> <th>1st</th> <th>2nd</th> <th>3rd</th> <th>4th</th> <th>5th</th> <th>6th</th> <th>Rev</th> </tr> <tr> <td>4.70</td> <td>2.21</td> <td>1.53</td> <td>1.00</td> <td>0.76</td> <td>0.67</td> <td>5.55</td> </tr> </table> <p><b>Power Take Off facility:</b> LHS and top openings on transmission bellhousing. Engine driven PTO drive gear.</p> <p><b>Other features:</b> 6th generation electronic controls with adaptive shift. Long life TranSynd synthetic fluid.</p> | 1st   | 2nd     | 3rd  | 4th  | 5th  | 6th  | Rev  | 4.70 | 2.21 | 1.53 | 1.00 | 0.76 | 0.67 | 5.55 |      |      |      |      |      |      |      |
|                                | 1st   | 2nd   | 3rd     | 4th  | 5th  | 6th  | Rev  |      |      |      |      |      |      |      |      |      |      |      |      |      |      |      |
|                                | 4.70  | 2.21  | 1.53    | 1.00 | 0.76 | 0.67 | 5.55 |      |      |      |      |      |      |      |      |      |      |      |      |      |      |      |

| AXLES        |   |
|--------------|---|
| <b>FRONT</b> | <b>Description:</b> 2 x Meritor FG941                                       |
|              | <b>Type:</b> Reverse Elliot I-beam  |
|              | <b>Capacity:</b> 6,600 kg each  |
| <b>REAR</b>  | <b>Description:</b> Meritor MT-14X  |
|              | <b>Type:</b> Tandem drive   |
|              | <b>Other features:</b> Inter-axle lock and cross locks fitted to both axles |
|              | <b>Capacity:</b> 18,100 kg  |
|              | <b>Ratio:</b> 4.875:1 (MT), 5.286:1 (AT)                                    |

| SUSPENSION   |   |  |
|--------------|---|--|
| <b>FRONT</b> | <b>Type:</b> Single stage alloy steel taper leaf springs  |  |
|              | <b>Load sharing:</b> Front suspension load equaliser and shock absorber   |  |
|              | <b>Other features:</b> Double acting hydraulic shock absorbers fitted to both axles. Stabiliser bar fitted to first front axle. |  |
| <b>REAR</b>  | <b>FYH</b>  | <b>Type:</b> Taper leaf spring with Isuzu 6 rod and trunnion location system |
|              | <b>FYJ</b>  | <b>Description:</b> Hendrickson HAS461                                       |
|              |   | <b>Type:</b> Airbag  |
|              |   | <b>Capacity:</b> 20,865 kg at ground   |

| BRAKES                        |   |
|-------------------------------|---|
| <b>DESCRIPTION</b>            | Meritor 'Q-Plus'                            |
| <b>TYPE</b>                   | Full air 'S-Cam' front and rear drum brakes |
| <b>DIAMETER X WIDTH FRONT</b> | 419 x 152 mm                                |
| <b>DIAMETER X WIDTH REAR</b>  | 419 x 178 mm                                |
| <b>PARK BRAKE</b>             | Spring park brake acting on all rear wheels |
| <b>AUXILIARY BRAKE</b>        | Air controlled exhaust brake                |

| STEERING                  |   |
|---------------------------|---|
| <b>TYPE</b>               | Power assisted recirculating ball                             |
| <b>GEAR RATIO</b>         | <b>1st axle:</b> 18.8:1                                       |
|                           | <b>2nd axle:</b> 22.9:1                                       |
| <b>TURNS LOCK TO LOCK</b> | 3.8   |
| <b>WHEEL LOCK ANGLE</b>   | <b>1st axle:</b> 40.0° (inside wheel) / 32.2° (outside wheel) |
|                           | <b>2nd axle:</b> 34.0° (inside wheel) / 28.6° (outside wheel) |

| WHEELS & TYRES |                                |   |
|----------------|--------------------------------|---|
| <b>FRONT</b>   | <b>WHEELS</b>                  | 22.5 x 8.25 ten stud ISO standard steel wheels (except FYJ AUTO MWB)    |
|                |                                | 22.5 x 8.25 ten stud ISO standard Alcoa aluminium wheels (FYJ AUTO MWB) |
|                | <b>TYRES</b>                   | 295/80R22.5 152/148M Michelin X Multi Z 2 Tubeless                      |
|                | <b>STEER AXLE TYRE RATING</b>  | 14,200 kg   |
| <b>REAR</b>    | <b>WHEELS</b>                  | 22.5 x 8.25 ten stud ISO standard steel wheels (except FYJ AUTO MWB)    |
|                |                                | 22.5 x 8.25 ten stud ISO standard Alcoa aluminium wheels (FYJ AUTO MWB) |
|                | <b>TYRES</b>                   | 11R22.5 148/145L Michelin X Multi D Tubeless                            |
|                | <b>TANDEM AXLE TYRE RATING</b> | 23,200 kg   |
| <b>SPARE</b>   | Rim supplied                   |   |

| CHASSIS FRAME     |  |
|-------------------|--|
| <b>TYPE</b>       | Cold rivetted ladder frame.  |
| <b>MATERIAL</b>   | HT540A steel members   |
| <b>DIMENSIONS</b> | <b>Side rail (mm):</b> 285 x 85 x 7.0<br><b>Rear frame width (mm):</b> 850 |

| FUEL TANK       |                                   |
|-----------------|-----------------------------------|
| <b>TYPE</b>     | Frame mounted aluminium fuel tank |
| <b>CAPACITY</b> | 400 L                             |
| <b>FUEL CAP</b> | Lockable                          |

## CABIN SPECIFICATIONS & APPOINTMENTS

| CABIN GENERAL FEATURES   |  |
|--------------------------|--|
| <b>ENGINE ACCESS</b>     | Electro-hydraulic cab tilt   |
| <b>CAB MOUNTING</b>      | Rear coil spring suspension with hydraulic shock absorbers   |
| <b>STEPS</b>             | Heavy duty anti-slip steps   |
| <b>DOORS</b>             | 90° opening internally reinforced front doors  |
| <b>MIRRORS</b>           | Heated and powered exterior main mirrors with flat glass and additional independently adjustable convex "spot" mirrors |
| <b>WIPERS</b>            | Two speed windscreen wipers with intermittent wipe mode  |
| <b>EXTERIOR LIGHTING</b> | LED main beam and halogen high beam headlamps. Chrome surround.  |
|                          | Roof mounted clearance lamps   |
|                          | Front foglamps   |
| <b>AUDIBLE WARNING</b>   | Reverse alarm  |
| <b>GRILLE</b>            | Chrome   |
| <b>FRONT BUMPER</b>      | Body coloured air dam type   |
| <b>SECURITY</b>          | Central locking with remote keyless entry and immobiliser  |

| CABIN INTERIOR            |   |
|---------------------------|---|
| <b>SEATING</b>            | Isri 6860/875 NTS air suspension driver's seat  |
|                           | Front passenger adjustable bucket seat and front centre seat with folding seat back   |
| <b>SEATBELTS</b>          | 3-point lap sash seatbelts in all outboard seating positions. Driver seatbelt integrated with driver seat. Centre seat lap belts. |
| <b>STEERING COLUMN</b>    | Tilt/telescopic adjustable  |
| <b>ENTRY ASSIST GRIPS</b> | Door and roof pillar mounted  |
| <b>DOOR WINDOWS</b>       | Electric control  |
| <b>STORAGE</b>            | Overhead compartments   |
|                           | Twin cup holders  |
|                           | Centre console box and storage tray   |
|                           | Passenger glovebox  |
|                           | Door pockets  |
| <b>POWER OUTLETS</b>      | 24V cigarette lighter   |
|                           | 2.4A high current fast charge USB socket  |
| <b>AIRCONDITIONING</b>    | Auto control  |
| <b>INTERIOR LIGHTING</b>  | Fluorescent lamp  |
| <b>REAR COMPARTMENT</b>   | ADR 42 compliant sleeper with mattress  |

| ELECTRICAL SYSTEM        |  |
|--------------------------|--|
| <b>TYPE</b>              | 24 volt  |
| <b>ALTERNATOR</b>        | 90 amp   |
| <b>STARTER MOTOR</b>     | 5.0 kW   |
| <b>BATTERY</b>           | 2 x 115E41L (651 CCA) batteries connected in series  |
| <b>CAN BUS PROVISION</b> | Underdash CAN system access plug for connection to a Fleet Management System (FMS) (not supplied). |

| MYISUZU CO-PILOT AUDIO VISUAL UNIT |  |
|------------------------------------|--|
| <b>SCREEN TYPE</b>                 | 10.1" 1080p High Definition with capacitive touch    |
| <b>OPERATING SYSTEM</b>            | Android Automotive                                   |
| <b>RADIO</b>                       | AM/FM/DAB+   |
| <b>INTERNAL STORAGE CAPACITY</b>   | 32GB   |
| <b>SMARTPHONE INTEGRATION</b>      | USB 3.0 socket                                       |
|                                    | Wi-Fi connectivity                                   |
|                                    | Android Auto / Apple CarPlay compatible              |
|                                    | Phone storage pocket with wireless charging facility |

| DRIVER CONTROLS               |   |
|-------------------------------|---|
| <b>ENGINE</b>                 | Idle speed control  |
|                               | Cruise control  |
| <b>TRANSMISSION (AT ONLY)</b> | Push button gear selection control  |
| <b>GENERAL CONTROLS</b>       | Headlamp on/off and levelling, windscreen wipers (2 speed and intermittent modes), washers, exhaust brake, turn signals |
|                               | Inter-axle lock and cross lock engage switches  |

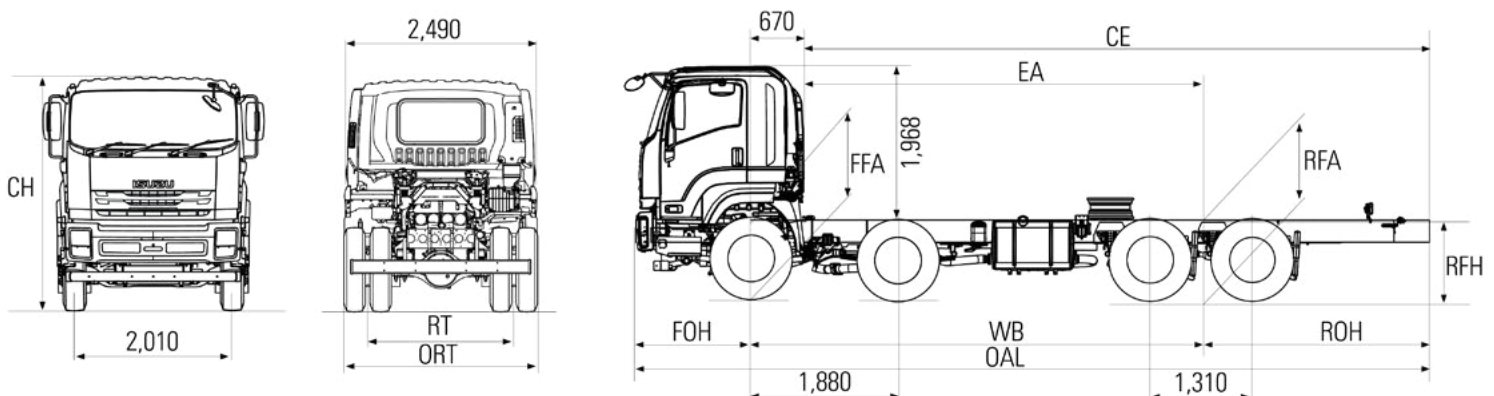
| INSTRUMENTATION                  |  |
|----------------------------------|--|
| <b>MULTI INFORMATION DISPLAY</b> | Vehicle systems status   |
|                                  | Low fuel level alert   |
|                                  | Fuel consumption information   |
|                                  | Service interval alerts  |
|                                  | Hourmeter  |
| <b>GENERAL INSTRUMENTATION</b>   | Adjustable vehicle speed warning   |
|                                  | Speedometer and tachometer   |
|                                  | Digital odometer with integrated dual tripmeters                                       |
|                                  | Transmission oil level, oil life, filter life, and condition monitor display (AT only) |
|                                  | Engine coolant temperature, fuel level and air pressure gauges                         |



| WEIGHTS (kg)          |          |        |                            |        |                      |       |       |
|-----------------------|----------|--------|----------------------------|--------|----------------------|-------|-------|
| MODELS                | RATINGS* |        | LOADING LIMIT* (at ground) |        | CAB CHASSIS WEIGHT # |       |       |
|                       | GVM      | GCM    | FRONT                      | REAR   | FRONT                | REAR  | TOTAL |
| FYH 300-350 AUTO MWB  | 30,000   | 45,000 | 13,200                     | 18,100 | 5,720                | 2,830 | 8,550 |
| FYH 300-350 AUTO LWB  | 30,000   | 45,000 | 13,200                     | 18,100 | 5,730                | 2,910 | 8,640 |
| FYJ 300-350 AUTO MWB  | 30,000   | 45,000 | 12,000                     | 18,100 | 5,665                | 2,510 | 8,175 |
| FYJ 300-350 LWB       | 30,000   | 45,000 | 13,200                     | 18,100 | 5,480                | 2,715 | 8,195 |
| FYJ 300-350 AUTO LWB  | 30,000   | 45,000 | 13,200                     | 18,100 | 5,730                | 2,680 | 8,410 |
| FYJ 300-350 XLWB      | 30,000   | 45,000 | 13,200                     | 18,100 | 5,500                | 2,750 | 8,250 |
| FYJ 300-350 AUTO XLWB | 30,000   | 45,000 | 13,200                     | 18,100 | 5,720                | 2,740 | 8,460 |

\* Vehicle ratings and front/rear weight limits are subject to government regulatory requirements and weight distribution analysis. Consult your Isuzu dealer to select the correct vehicle for your specific application. # Cab chassis only as supplied and including 10 litres of fuel.

| DIMENSIONS (mm)              |       |        |       |       |       |       |       |       |       |               |               |               | (m)                         |
|------------------------------|-------|--------|-------|-------|-------|-------|-------|-------|-------|---------------|---------------|---------------|-----------------------------|
| MODELS                       | WB    | OAL    | FOH   | ROH   | EA    | CE    | RT    | ORT   | CH    | FFA (unladen) | RFA (unladen) | RFH (unladen) | TURNING CIRCLE kerb to kerb |
| FYH 300-350 AUTO MWB         | 5,770 | 9,720  | 1,480 | 2,470 | 5,100 | 7,570 | 1,840 | 2,445 | 3,000 | 940           | 1,105         | 1,135         | 20.4                        |
| FYH 300-350 AUTO LWB         | 6,010 | 10,290 | 1,480 | 2,800 | 5,340 | 8,140 | 1,840 | 2,445 | 3,000 | 940           | 1,100         | 1,140         | 21.0                        |
| FYJ 300-350 AUTO MWB         | 5,770 | 9,720  | 1,480 | 2,470 | 5,100 | 7,570 | 1,840 | 2,445 | 3,000 | 940           | 1,050         | 1,050         | 20.4                        |
| FYJ 300-350 LWB / AUTO LWB   | 6,010 | 10,290 | 1,480 | 2,800 | 5,340 | 8,140 | 1,840 | 2,445 | 3,000 | 940           | 1,050         | 1,050         | 21.0                        |
| FYJ 300-350 XLWB / AUTO XLWB | 6,700 | 10,980 | 1,480 | 2,800 | 6,030 | 8,830 | 1,840 | 2,445 | 3,000 | 940           | 1,050         | 1,050         | 23.5                        |



| PERFORMANCE (calculated - typical paved road) |                  |  |  |  |
|---|------------------|--|--|--|
|   |                  | GEARED SPEED~<br>(top gear at peak power engine rpm) | LOW SPEED GRADEABILITY<br>(lowest forward gear assuming no wheel slip) | ENGINE SPEED<br>(top gear at 100 km/h) |
| FYH/FYJ 300-350 AUTO                          | At 30,000 kg GVM | 109 km/h @ 2,000 rpm                                 | 48%  | 1,830 rpm                              |
| FYJ 300-350 LWB/XLWB                          | At 30,000 kg GVM | 106 km/h @ 2,000 rpm                                 | 38%  | 1,890 rpm                              |

~ Maximum speed achievable depends on vehicle frontal area as well as other factors. Consult your Isuzu dealer for more detailed information. Vehicle is speed limited to 100km/h

| ORDER CODES           |              |
|-----------------------|--------------|
| MODELS                | CODES        |
| FYH 300-350 AUTO MWB  | FH-FYHJJ-L23 |
| FYH 300-350 AUTO LWB  | FH-FYHJJ-N23 |
| FYJ 300-350 AUTO MWB  | FH-FYJJJ-L23 |
| FYJ 300-350 LWB       | FH-FYJJJ-D22 |
| FYJ 300-350 AUTO LWB  | FH-FYJJJ-N23 |
| FYJ 300-350 XLWB      | FH-FYJJJ-E22 |
| FYJ 300-350 AUTO XLWB | FH-FYJJJ-P23 |

Subject to the conditions outlined in the IAL New Vehicle Warranty, Isuzu FY series models carry a standard factory warranty which covers the owner for the first 72 months or 600,000 kilometres or 10,000 Engine Hours (whichever comes first). All Isuzu warranties are subject to mandatory prescribed terms under Australian Consumer Law including consumer guarantees. Harsh Conditions variations to standard factory warranty may apply. For more details visit the Isuzu website at [www.isuzu.com.au](http://www.isuzu.com.au) which explains Isuzu warranties in more detail, or alternatively contact your local Isuzu Truck dealer. All warranties commence from date of initial delivery.

ISUZU AUSTRALIA LIMITED ABN 97 006 962 572 ("IAL"). The information in this spec sheet was correct at time of printing, but all measurements, specifications and equipment are subject to change without notice. Some equipment may have been changed and/or is available at extra cost. IAL may make changes at any time without notice, in prices, colours, materials, equipment and models. IAL makes all reasonable attempts to ensure the availability of all vehicles and equipment. The information in this spec sheet is general in nature. Your Isuzu dealer can confirm all measurements, specifications and vehicle / equipment availability upon request. To the extent permitted by the law, IAL is not liable to any person as result of reliance on the content of this spec sheet.